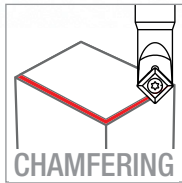
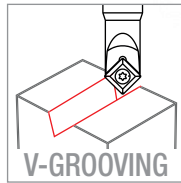
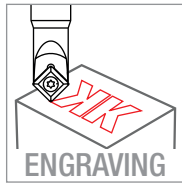
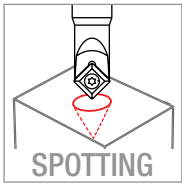
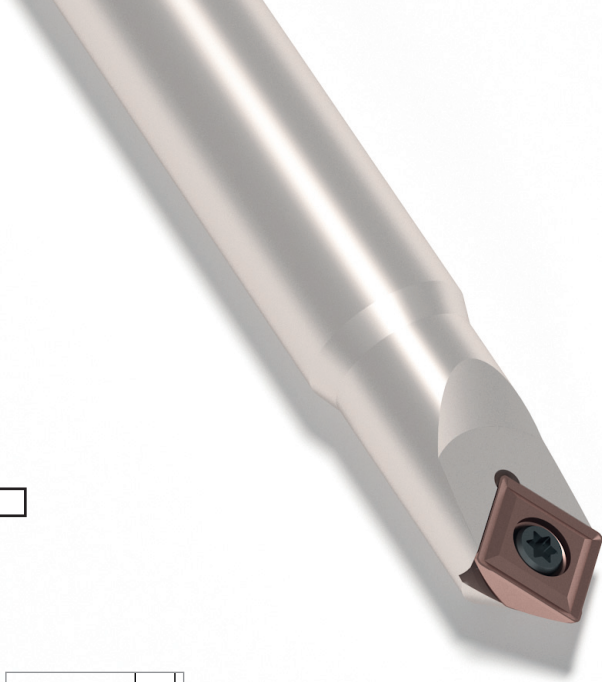



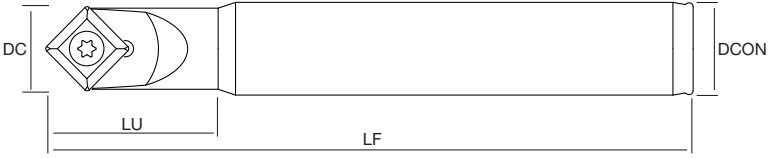

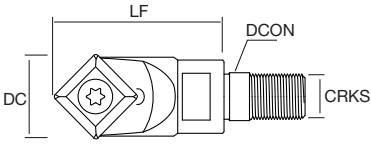
SPOTDRILL

Multipurpose system





SPOT11	SPOTDRILL Multipurpose system				ISO513	COATED				UNCOATED								
	Size	IC	S	D1		HC-1SOP	HC-1SOM	HC-1SOK	HW-1SON									
	11	11	3.97	2.2	P	100 220												
					M		60 140											
					K			80 180										
					N				150 300									
					S													
					H													
GRADE APPLICATION AREA	Light cut, stable machining				+													
main application	Variable condition, general machining				Hardness													
applicable	Heavy cut, unstable machining				Toughness													
GENERAL	GP P M K	SPOT 11R03-GP	RE 0.3	$f_n \blacktriangleright$ 0.04 $f_n \blacktriangleright$ 0.08	0.07 0.15	0.10 0.22	●	●	●									
		11R08-GP	RE 0.8	$f_n \blacktriangleright$ 0.04 $f_n \blacktriangleright$ 0.08	0.07 0.15	0.10 0.22	●	●	●									
	AL N	11R04-AL	RE 0.4	$f_n \blacktriangleright$ 0.06 $f_n \blacktriangleright$ 0.14	0.09 0.22	0.12 0.30				●								
		11R08-AL	RE 0.8	$f_n \blacktriangleright$ 0.06 $f_n \blacktriangleright$ 0.14	0.09 0.22	0.12 0.30				●								

● stock standard feed rate for chamfering

<p>CYLINDRICAL</p> 								
<p>SCREW-IN</p> 								
<p>SPOT DRILL Multipurpose system</p>	<p>DC (DCX)</p>	<p>Z</p>	<p>DCON</p>	<p>LF</p>	<p>LU</p>	<p>CRKS</p>	<p>WT (Kg)</p>	<p>MIID</p>

<p>CYLINDRICAL</p>	<p>NT-SPOT D14-S16-L100</p>	<p>●</p>	<p>15.4 (14)</p>	<p>1</p>	<p>16</p>	<p>100</p>	<p>30</p>	<p>-</p>	<p>0,13</p>	<p>SPOT11</p>
	<p>SCREW IN</p>	<p>NT-SPOT D14-M08-L052</p>	<p>●</p>	<p>15.4 (14)</p>	<p>1</p>	<p>8.5</p>	<p>35</p>	<p>-</p>	<p>M8</p>	<p>0,03</p>

● stock standard DCX = maximum cutting diameter

<p>INSERT SIZE</p>	<p>SCREW</p> 	<p>WRENCH</p> 
	<p>11</p>	<p>NT-ST063 torque 3.5 Nm</p>



KIT-SPOTDRILL
 1x NT-SPOT D14-S16-L100
 2x SPOT11R08-GP HC-ISO P
 2x SPOT11R08-GP HC-ISO M

€ 70,00

Sorma Spa
 Via Don F. Tosatto, 8
 30174 Mestre - Venezia
 +39 041.959179
 info@nikkotools.com

www.nikkotools.com

